

Air



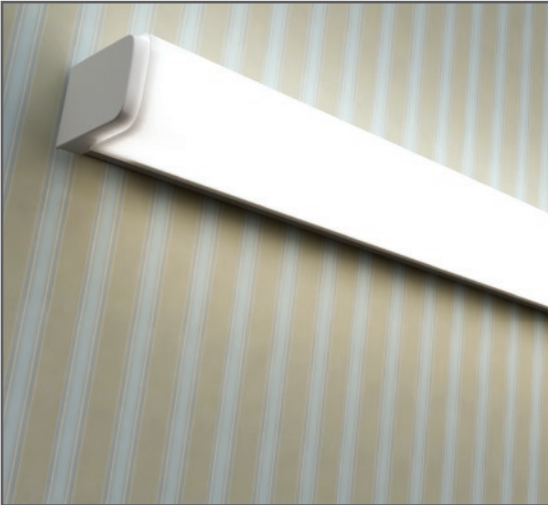
axis

PRODUCT ORDERING CODES

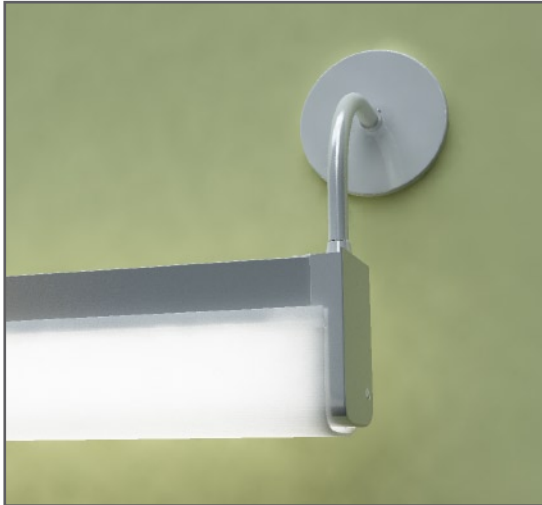
product id	lens	length / ft	lamp	lamp config.	finish	ballast	voltage	circuits	suspension	other	custom
AR	W	4	T8	I	A	E	120	I	CA36		
AR pendant +W wall +S surface +VS vert. surface		4 8 12 S# system		1 one lamp 2 two lamps	E alu-anodized AP alu-painted W white C custom	E electronic ERS rapid start D dimming (specify details)	120 277 347	1 one circuit 2 two circuits +E em. circuit	CA# cable (36" std) CT# cable / t-bar SA# stem (18" std) (length / inch)	B# batt. pack (quan. / lumens) F fuse (one per ballast)	C custom description

sample
ordering options

ARVS - vertical surface installation



ARW - wall mount installation

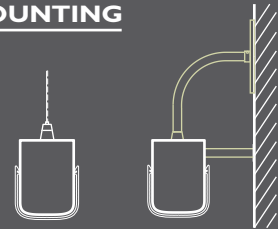


LAMPS

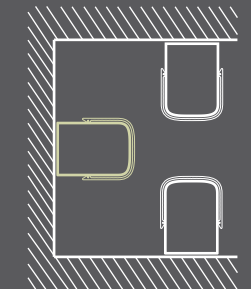


1 or 2 x T8 Lamps
1 or 2 x T5/T5HO Lamps

MOUNTING



Sliding hanger pendant mount
Bent tube arm mount available



Direct / indirect surface mount
Vertical surface mount available

VISIT OUR WEB SITE FOR MORE INFORMATION

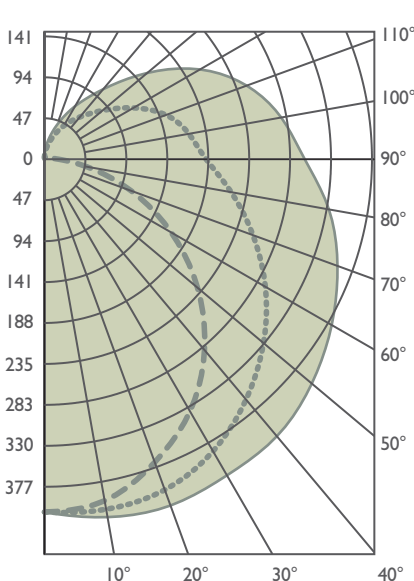
PHOTOMETRICS

Site lighting calculations and electronic photometric data are available at www.axislighting.com

AIR Candlepower Distribution

Photopia Electronic Simulation
Test Lamps: 1 x F32T8 Fluorescent

Model: **AR-W-4-T8-I**
Efficiency: **85.3%**



angle	along 22.5	45	67.5	across
0	406	406	406	406
10	399	401	409	418
20	371	384	405	419
30	335	356	388	411
40	286	315	361	398
50	230	267	329	382
60	168	215	293	358
70	106	164	255	329
80	49	116	218	300
90	16	84	186	268
100	10	72	169	247
110	8	58	149	219
120	8	46	118	207
130	6	37	87	136
140	5	28	63	93
150	4	20	44	63
160	2	13	27	38
170	1	6	13	17
180	2	2	2	2

————— Across
..... 45°
- - - - - Along

Illuminance (Footcandles)

Sample Typical

8' AIR Fixture
Test Lamps: 1 x F32T8 (total 2 lamps)
Lens: white diffusing
Light Loss Factor: 0.8

Reflectances:

Ceiling 80%
Walls 50%
Floor: 20%

Sample Office Layout

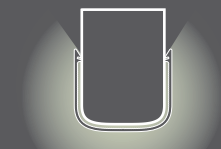
10' x 10' x 9' with work plane @ 30" AFF

17	18	20	21	22	22	21	19	18	17
18	19	21	23	24	24	23	21	19	18
20	21	23	26	27	27	26	23	21	20
21	22	25	27	29	29	27	25	22	21
21	23	26	28	30	30	28	26	23	21
21	23	26	28	30	30	28	26	23	21
21	22	25	27	29	29	27	25	22	21
20	21	23	26	27	27	26	23	21	20
18	19	21	23	24	24	23	21	19	18
17	18	20	21	22	22	21	20	18	17

OPTICS

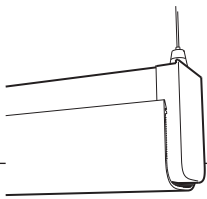


white diffusing lens

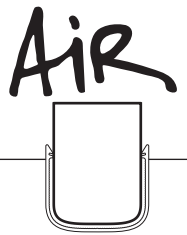


clear lens





FEATURES & HIGHLIGHTS



ALUMINUM PROFILES

- Center profile precisely fabricated in the highest grade aluminium ensures straight linear fixtures.

PENDANT & SYSTEM INSTALLATION

- Aircraft cable easily adjusted with automatic releasing & levelling cable grips and sliding hanger.
- Stem mounting also available.
- Die-cast joining system to enable solid system connections.

ZINC DIE-CAST END CAPS

- Precision die-cast zinc end caps.

FINISH

- Components finished in a variety of standard and custom colors.

INNOVATIVE LIGHTING SOLUTION

- **AIR** is the glowing essence of simplicity.
- Mount it upside-down or rightside-up; suspend it or surface mount it on a wall or ceiling; straight in a line or make a statement by mounting on an angle. **AIR** is a versatile and stylish strip light meant for hospitals, for office spaces and contemporary hotels. With **AIR**, the sky is the limit.

PENDANT & LINEAR SYSTEMS

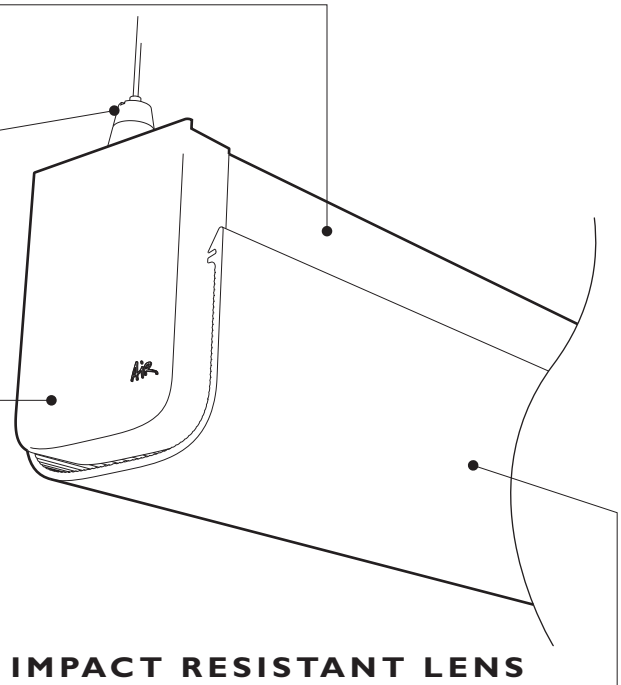
- Available in standard lengths of 4', 8' and 12' as well as custom linear systems.
- Unobtrusive and strong system connections.

LIGHT SOURCE OPTIONS

- Available for use with 1 or 2 x T8 lamps, 1 or 2 x T5 and T5 High Output lamps

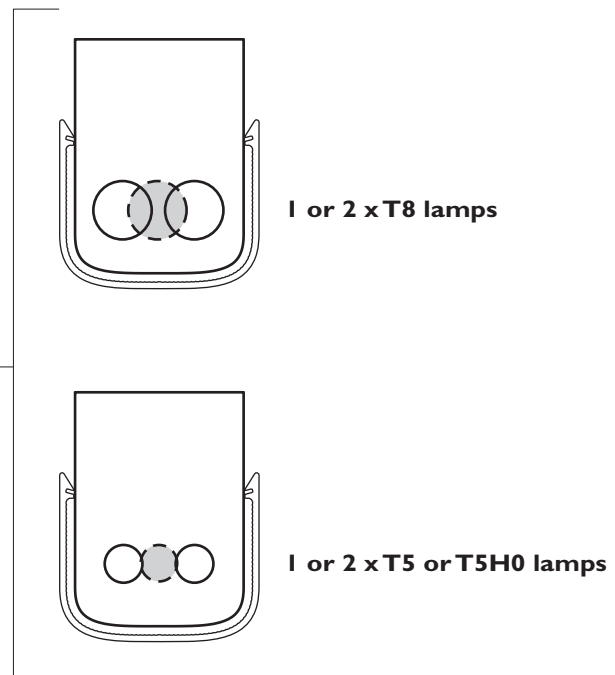
BALLAST & ELECTRICAL

- Electronic, dimming & emergency ballasts are available.
- All wiring concealed & covered with an easily accessible sheet steel cover.
- 120, 277 or 347 voltages available.
- Only the highest quality electrical components are used for added safety, convenience, long term cost and ecological savings.
- C-UL certified.

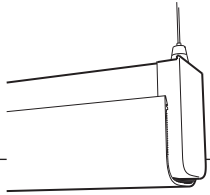
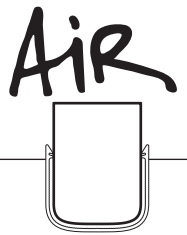


IMPACT RESISTANT LENS

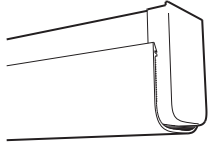
- The elegantly styled "floating" lens on AIR makes it an efficient strip light that is equally suitable for commercial, institutional spaces or simply for modern environments.



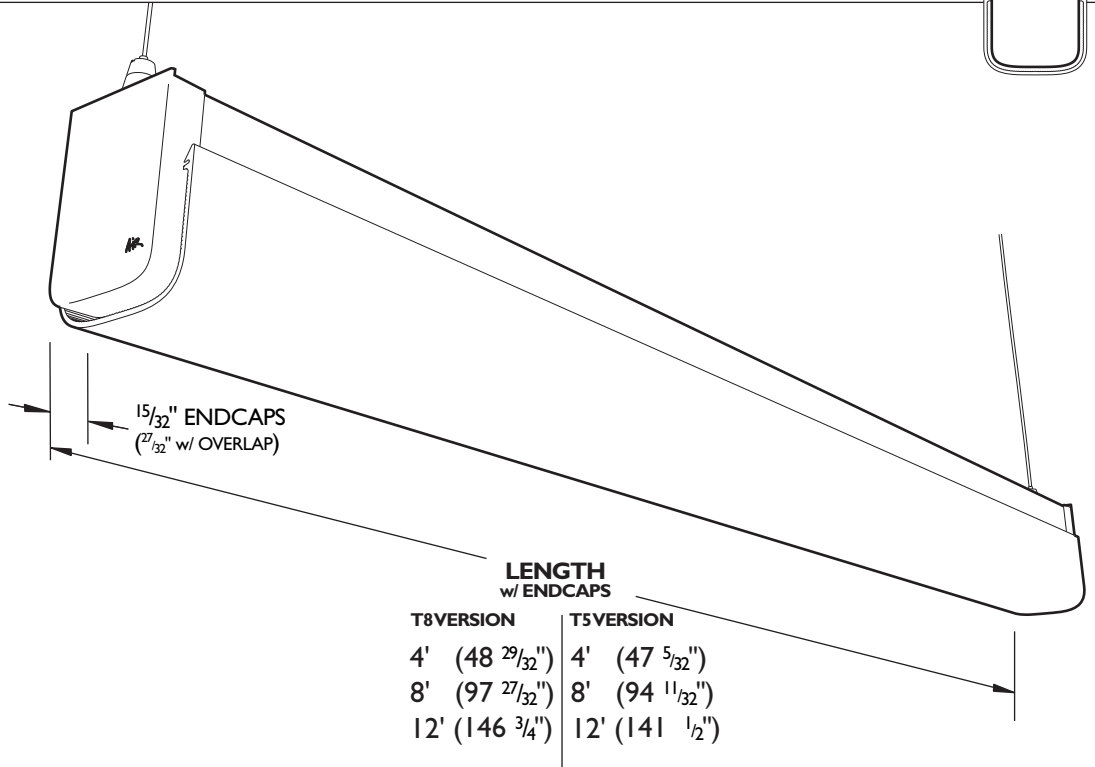
PENDANT SPECIFICATIONS



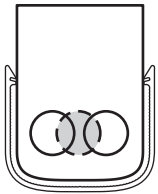
LENS



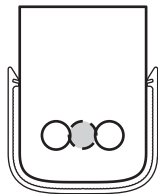
Lens: White Diffusing Acrylic
Finish: Ribbed inside
 23% Uplight / 77% Downlight



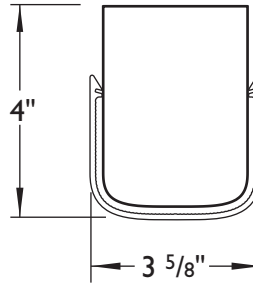
LAMP CONFIGURATIONS



1 or 2 x T8 lamps



1 or 2 x T5 or T5HO lamps



INSTALLATION PAGES

i 2.1 2.2

CONSTRUCTION

End Cap	Die Cast Zinc (0.070" nominal)
Housing	Extruded Aluminum (0.075" nominal)
Lens	Extruded Impact Modified Acrylic (0.125" nominal)
Interior Brackets	Die Formed Sheet Steel (20 gauge)
Hanger	Die Cast Zinc (0.120" nominal)
Suspension	Aircraft Cable or Ø 5/8" Stem
Cable Grips	Quick Connecting / Release
Finish	Anodized, Powder Coated, Lacquered

ELECTRICAL

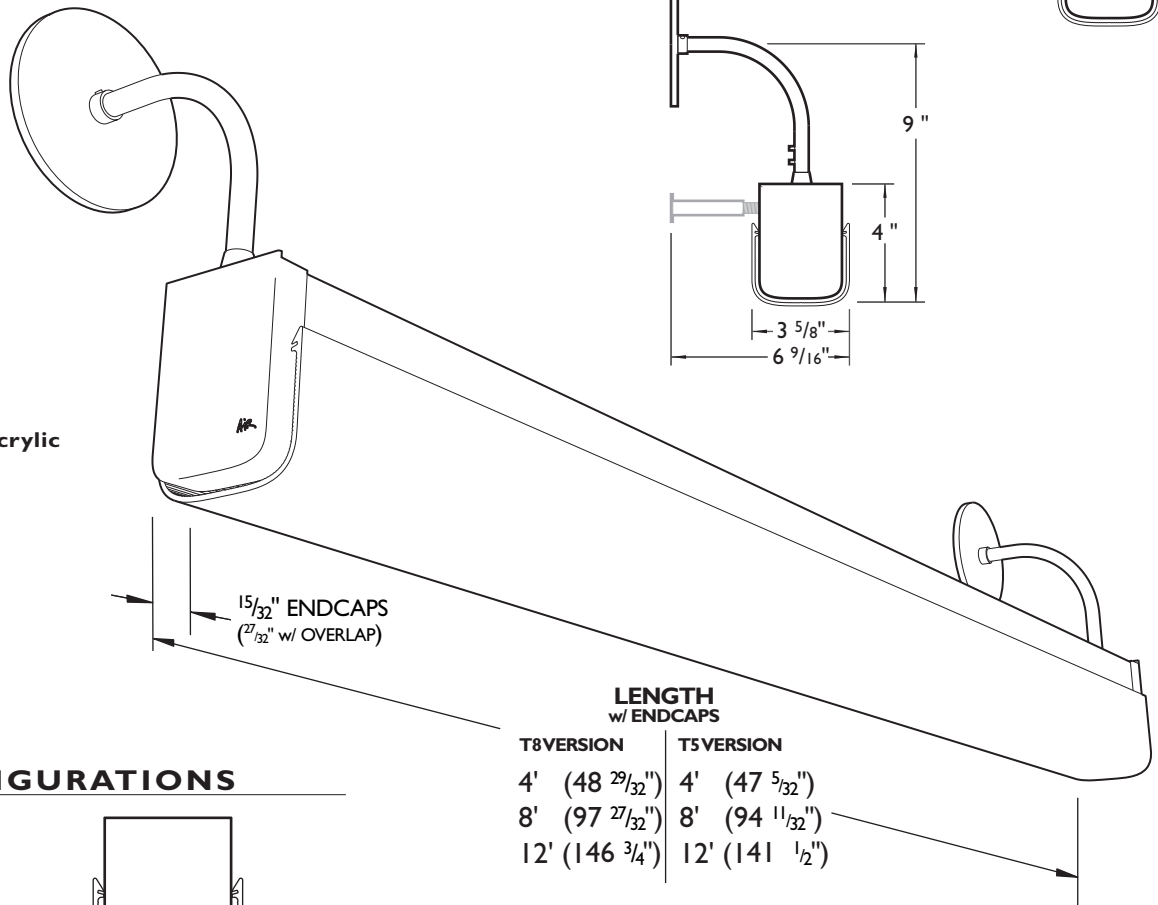
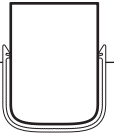
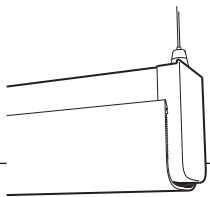
Ballast Options	Electronic, Dimmable, Emergency
Emergency Lamp Options	Emergency Battery Pack or Circuit
Voltage	T8, T5, T5-HO 120, 277, 347
Certification	UL listed to U.S. & Canadian standards

PRODUCT ORDERING CODE

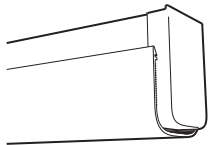
product id	lens	length / ft	lamp	lamp config.	finish	ballast	voltage	circuits	mounting	other	custom
AR	W	4	T8	I	A	E	120	I	CA36		
AR	pendant	4		I one lamp	A	E		I one circuit		B# batt. pack	
+W	wall	8		2 two lamps	AP	ERS		2 two circuits		(quan. / lumens)	
+S	surface	12			W	D		+E em. circuit		F fuse	
+VS	vertical surface	S# system			C					(one per ballast)	
	W white diffusing		T8 32w				120		CA# cable (36" std)		C custom
			T5 28w				277		CT# cable / t-bar		description
			T5HO 54w				347		SA# stem (18" std)		
									(length / inch)		

AIR

WALL MOUNT SPECIFICATIONS

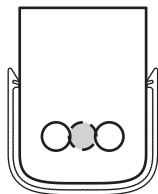
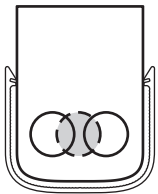


LENS



Lens: White Diffusing Acrylic
Finish: Ribbed inside
 23% Uplight / 77% Downlight

LAMP CONFIGURATIONS



1 or 2 x T8 lamps

1 or 2 x T5 or T5HO lamps

LENGTH w/ ENDCAPS

T8 VERSION	T5 VERSION
4' (48 29/32")	4' (47 5/32")
8' (97 27/32")	8' (94 11/32")
12' (146 3/4")	12' (141 1/2")

INSTALLATION PAGES



CONSTRUCTION

End Cap	Die Cast Zinc (0.070" nominal)
Housing	Extruded Aluminum (0.075" nominal)
Lens	Extruded Impact Modified Acrylic (0.125" nominal)
Interior Brackets	Die Formed Sheet Steel (20 gauge)
Hanger	Die Cast Zinc (0.120" nominal)
Wall Arm	5/8" Bent Threaded Steel Tube
Finish	Anodized, Powder Coated, Lacquered

ELECTRICAL

Ballast Options	Electronic, Dimmable, Emergency
Emergency Lamp Options	Emergency Battery Pack or Circuit
Voltage	T8, T5, T5-HO 120, 277, 347
Certification	UL listed to U.S. & Canadian standards

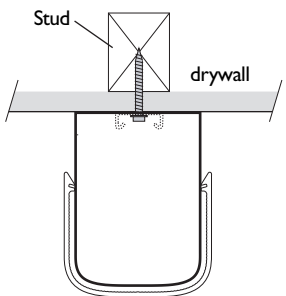
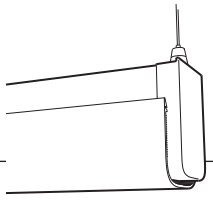
PRODUCT ORDERING CODE

product id	lens	length / ft	lamp	lamp config.	finish	ballast	voltage	circuits	mounting	other	custom
ARW	W	4	T8	I	A	E	120	I	BT		
AR +W +S +VS	pendant wall surface vertical surface	4 8 12 S# system	1 2	one lamp two lamps	A AP W C	E ERS D	electronic rapid start dimming (specify details)	1 2 +E	one circuit two circuits em. circuit	B# F	batt. pack (quan. / lumens) fuse (one per ballast)
	W white diffusing		T8 32w T5 28w T5HO 54w		alu. anodized alu. paint white custom		120 277 347		BT bent tube (4 1/2") (offset from wall)		C custom description

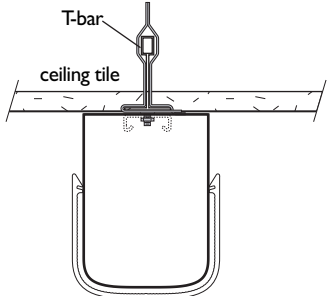
sample
ordering options

Air

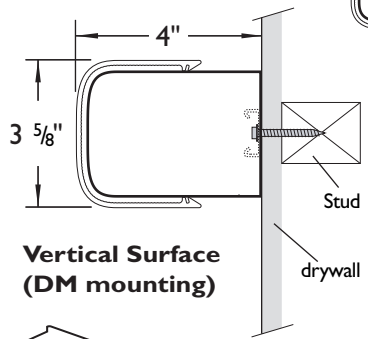
SURFACE MOUNT VERTICAL SURFACES & CEILINGS



**Drywall ceiling
(DM mounting)**

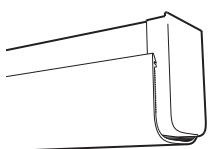


**T-bar ceiling
(TM mounting)**

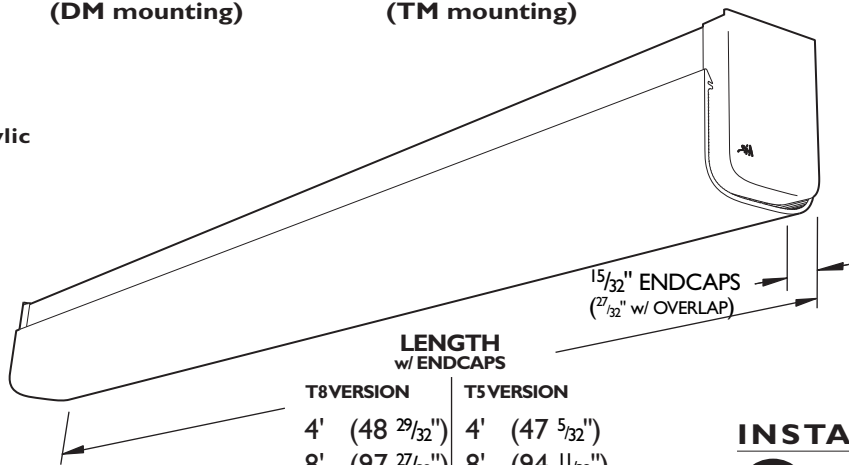


**Vertical Surface
(DM mounting)**

LENS



Lens: White Diffusing Acrylic
Finish: Ribbed inside
23% Uplight / 77% Downlight

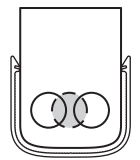


LENGTH w/ ENDCAPS	
T8 VERSION	T5 VERSION
4' (48 29/32")	4' (47 5/32")
8' (97 27/32")	8' (94 11/32")
12' (146 3/4")	12' (141 1/2")

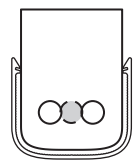
INSTALLATION PAGE



LAMP CONFIGURATIONS



1 or 2 x T8 lamps



1 or 2 x T5 or T5HO lamps

MOUNTING ANGLES



Horizontal



Vertical



Arbitrary

CONSTRUCTION

End Cap	Die Cast Zinc (0.070" nominal)
Housing	Extruded Aluminum (0.075" nominal)
Lens	Extruded Impact Modified Acrylic (0.125" nominal)
Interior Brackets	Die Formed Sheet Steel (20 gauge)
Hanger	Die Cast Zinc (0.120" nominal)
Finish	Anodized, Powder Coated, Lacquered

ELECTRICAL

Ballast Options	Electronic, Dimmable, Emergency
Emergency Lamp Options	Emergency Battery Pack or Circuit
Voltage	T8, T5, T5-HO 120, 277, 347
Certification	UL listed to U.S. & Canadian standards

PRODUCT ORDERING CODE

product id	lens	length / ft	lamp	lamp config.	finish	ballast	voltage	circuits	mounting	other	custom
ARS	W	4	T8	1	A	E	120	1	DM		
AR +W +S +VS	pendant wall surface vertical surface	4 8 12 S# system	T8 T5 T5HO	1 one lamp 2 two lamps	A alu. anodized AP alu. paint W white C custom	E electronic ERS rapid start D dimming (specify details)	120 277 347	1 one circuit 2 two circuits +E em. circuit	DM drywall mount TM T-bar mount	B# batt. pack (quan. / lumens) F fuse (one per ballast)	C custom description

sample ordering options

