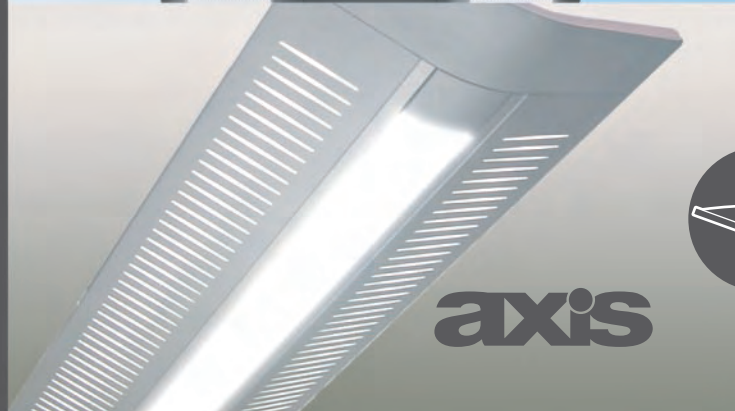


*Flow*



12"

2<sup>3</sup>/<sub>4</sub>"



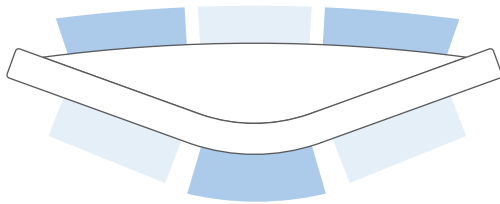
**axis**

PRODUCT ORDERING CODES

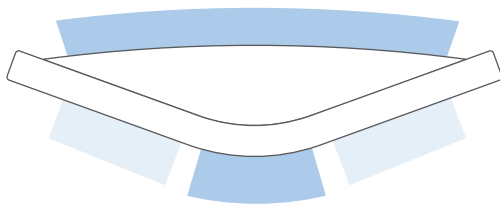
product id	center optics	side optics	length / ft	lamp	lamp config.	finish	ballast	voltage	circuits	suspension	hanger	other	custom
<b>FL</b>	<b>PL</b>	<b>S</b>	<b>4</b>	<b>T8</b>	<b>3A</b>	<b>A</b>	<b>E</b>	<b>120</b>	<b>I</b>	<b>CA36</b>	<b>C</b>		
<b>FL</b> <b>+W</b>	pendant wall	<b>S</b> <b>P</b> <b>B</b>	slot perf blank	<b>T8</b> 32w <b>T5</b> 28w <b>T5HO</b> 54w	<b>1</b> one lamp <b>2</b> two lamps <b>3A</b> 3 up / down <b>3B</b> 2 up / 1 down	<b>A</b> alu. anodized <b>AP</b> alu. painted <b>W</b> white <b>C</b> custom	<b>E</b> electronic <b>ERS</b> rapid start <b>D</b> dimming (specify details)	<b>120</b> <b>277</b> <b>347</b>	<b>I</b> one circuit <b>2</b> two circuits <b>+E</b> em. circuit	<b>CA#</b> cable (36" std) <b>CT#</b> cable / t-bar <b>SA#</b> stem (18" std) (length / inch)	<b>C</b> cable <b>+SM</b> seismic	<b>B#</b> batt. pack (quan. / lumens) <b>F</b> fuse (one per ballast)	<b>C</b> custom description

sample  
ordering options

LIGHT DISTRIBUTION

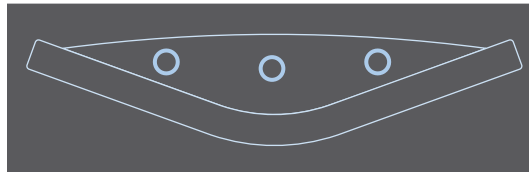


Direct / Indirect

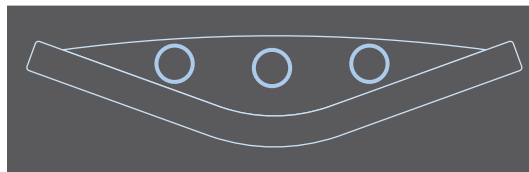


Semi-indirect

LAMP CONFIGURATIONS



1, 2 or 3 T5 / T5HO lamps



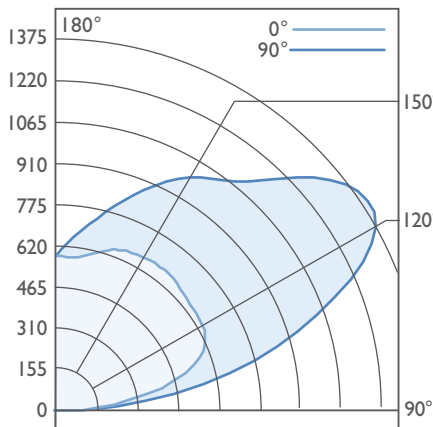
1, 2 or 3 T8 lamps

PHOTOMETRICS

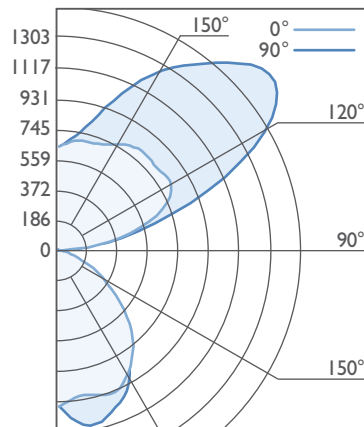
Site specific lighting calculations and electronic photometric data are available at [www.axislighting.com](http://www.axislighting.com)

FLOW™ Candlepower Distribution

Photopia Electronic Simulation  
Test Lamps: 1 x F54T5HO Fluorescent  
FL - Completely Indirect Configuration  
w/ MIRO Interior Reflectors Efficiency : 95%



Photopia Electronic Simulation  
Test Lamps: 3 x F28T5 Fluorescent  
FL - Center Baffles / Side Slots  
w/ MIRO Interior Reflectors Efficiency : 81%



Illuminance (Footcandles)

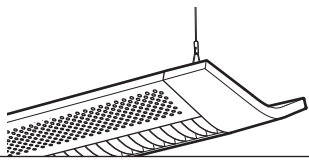
Sample Typicals  
4' Flow Fixture w/ Reflectances:  
Test Lamps: 3 x F28T5 Ceiling 80%  
Centres/Baffles / Side Slots Walls 50%  
Light Loss Factor: 0.8 Floor: 20%

Sample Office Layout

10' x 10' x 9' with work plane @ 1.5' AFF

22	24	27	31	33	33	31	27	24	22
23	26	31	35	37	37	35	31	26	23
25	29	35	41	44	44	41	35	29	25
27	32	40	47	50	50	47	40	32	27
28	33	43	51	54	54	51	43	33	28
28	33	43	51	54	54	51	43	33	28
27	32	40	47	50	50	47	40	32	27
25	29	35	41	44	44	41	35	29	25
23	26	31	35	37	37	35	31	26	23
22	24	27	31	33	33	31	27	24	22





# FEATURES & HIGHLIGHTS

Flow™



The **Flow** has been designed to deliver high efficiency in a beautiful and versatile exterior. Achieving up to 93% efficiency makes it perfect for a wide variety of applications, including high or unfinished ceilings, schools, and especially the modern office where worker efficiency and new environments, such as video conferencing, require the most flexible lighting design possible.

## INDIRECT / DIRECT LIGHT

- The **Flow** features extremely efficient performance, (up to 93% efficient).
- Direct-indirect linear fluorescent design provides evenly distributed, glare-free light.

## ZINC DIE-CAST END CAPS

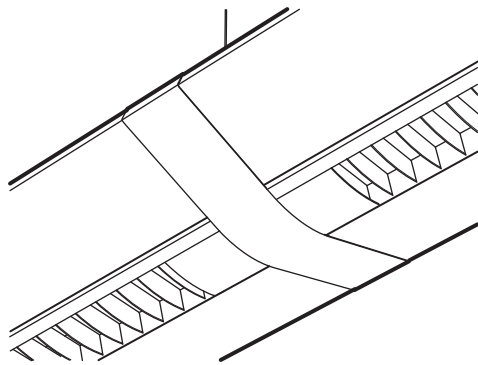
- Precision fabricated zinc die cast end caps add form, structure and quality to this simple, elegant lighting product.
- Fixture can be powder coated or painted to match any standard or custom color.

## OPTICAL COMPONENTS

- Added flexibility is provided with a wide range of infill options, including:
  - Parabolic louvers, slots, blank and frosted diffuser in any combination, providing the desired amount of up and down light.
- Completely indirect fixtures are available as well with blank infills.

## PENDANT & LINEAR SYSTEMS

- Pendant fixtures available in lengths of 4', 8' and 12'.
- Fixtures can also be joined into systems with a joining cap to create continuous runs in any specified custom linear length.

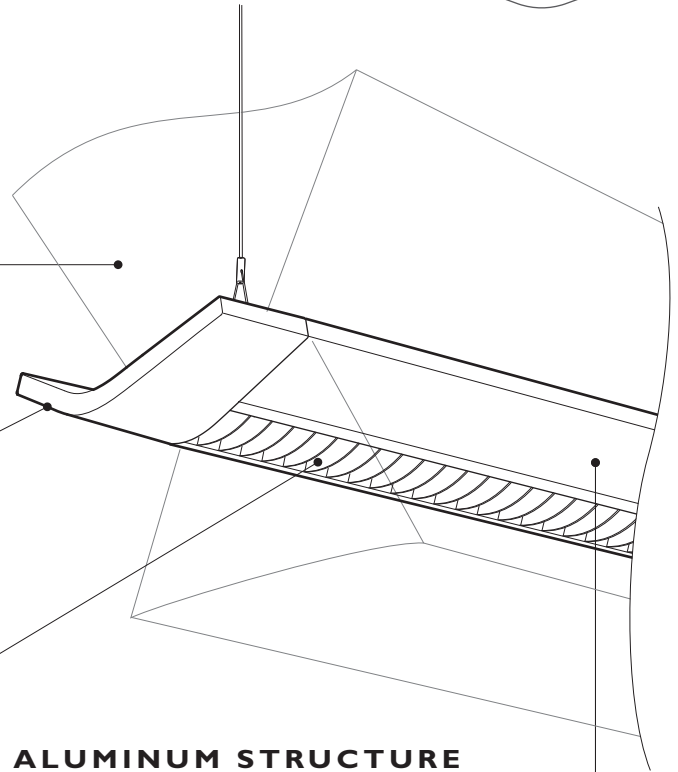


## INTERNAL COMPONENTS

- Socket brackets and all other internal metal components are die formed 18 gauge steel, white powder coated for maximum efficiency.

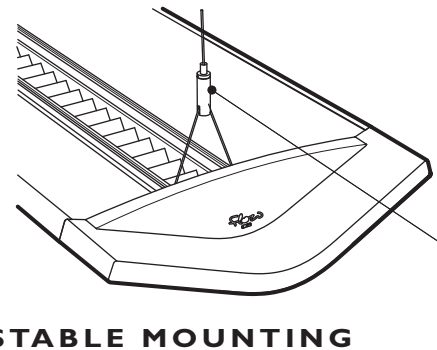
## BALLAST & ELECTRICAL

- Electronic, dimmable & emergency ballasts are available.
- All wiring and ballasts are easily accessible.
- 120, 277 or 347 voltages are available.
- Only the highest quality electrical components are used for added safety, convenience and long term cost and ecological savings.
- C-UL certified.



## ALUMINUM STRUCTURE

- Side profiles precisely fabricated in the highest grade aluminum ensures straight linear fixtures.



## ADJUSTABLE MOUNTING

- Sliding wire hanger allows for large and small mounting variations due to installer error or obstacles in the ceiling.
- Aircraft cable mounts into quick-connecting, releasing & leveling cable grips.
- Stem mounting is also available.

## LIGHT SOURCE OPTIONS

- The **Flow** is available with T8, T5 and T5 high output lamps.
- The high efficiency design allows for a wide spacing between fixtures and even lighting.
- Relamping and cleaning is easy and can be done in a fraction of the time required for traditional troffer lights.

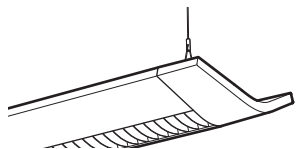


1, 2 or 3 x F28T5 Lamps or  
1, 2 or 3 x F54T5 HO lamps

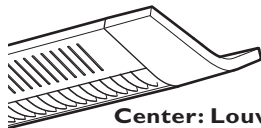


1, 2 or 3 x F32T8 Lamps

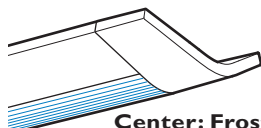
# PENDANT SPECIFICATIONS



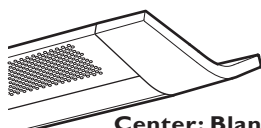
## OPTICS



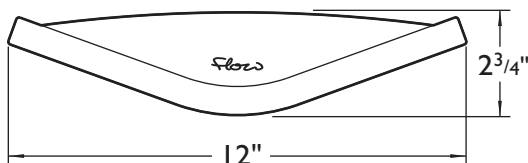
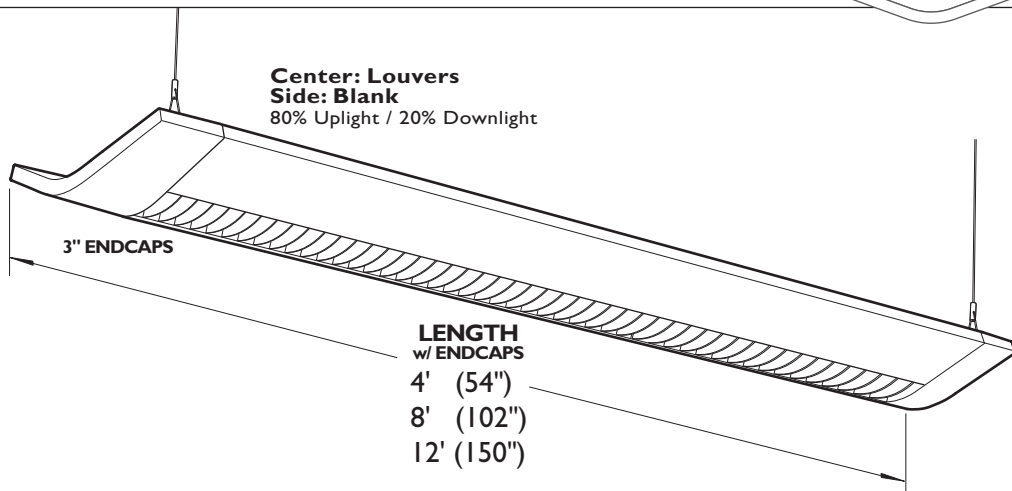
**Center: Louvers**  
**Side: Slots**  
77% Uplight / 23% Downlight



**Center: Frosted Diffuser**  
**Side: Blank**  
82% Uplight / 18% Downlight



**Center: Blank**  
**Side: Perfs**  
98% Uplight / 2% Downlight



## INSTALLATION PAGES

**i** 2.1 2.22

## LAMP CONFIGURATIONS



1, 2 or 3 x T5/T5HO Lamps



1, 2 or 3 x T8 Lamps

## DIRECT / INDIRECT CONFIGURATIONS



**1** 1 center lamp  
(side blank)



**3A** 3 lamps  
indirect/direct



**2** 2 side lamps  
(center blank)



**3B** 2 lamps indirect  
1 lamp direct

## CONSTRUCTION

<b>End Cap</b>	Die Cast Zinc (0.100" nominal)
<b>Structural Profile</b>	Extruded Aluminum (0.100" nominal)
<b>Louvers</b>	Die Formed Semi-Specular aluminum (22 gauge)
<b>Baffles</b>	Die Formed Aluminum (22 gauge)
<b>Interior Brackets</b>	Die Formed Sheet Steel (18 gauge)
<b>Hanger</b>	Aircraft Cable
<b>Suspension</b>	Aircraft Cable or Ø 5/8" Stem
<b>Cable Grips</b>	Quick Connecting / Release

**Finish** Anodized, Powder Coated, Lacquered  
**Certification** UL listed to U.S. & Canadian standards

## ELECTRICAL

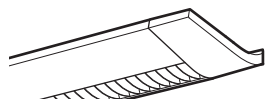
**Ballast Options** Electronic, Dimmable, Emergency  
**Emergency** Emergency Battery Pack or Circuit  
**Lamp Options** T8, T5, T5-HO  
**Voltage** 120, 277, 347

## PRODUCT ORDERING CODE

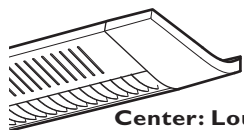
product id	center optics	side optics	length / ft	lamp	lamp config	finish	ballast	voltage	circuits	suspension	hanger	other	custom
<b>FL</b>	<b>PL</b>	<b>S</b>	<b>4</b>	<b>T8</b>	<b>3A</b>	<b>A</b>	<b>E</b>	<b>120</b>	<b>I</b>	<b>CA36</b>	<b>C</b>		
<b>FL</b> <b>+W</b>		<b>S</b> <b>P</b> <b>B</b>		<b>T8</b> 32w <b>T5</b> 28w <b>T5HO</b> 54w	<b>A</b> <b>AP</b> <b>W</b> <b>C</b>	alu. anodized alu. paint white custom		<b>120</b> <b>277</b> <b>347</b>		<b>CA#</b> cable (36" std) <b>CT#</b> cable / t-bar <b>SA#</b> stem (18" std) (length / inch)		<b>B#</b> batt. pack (quan. / lumens) <b>F</b> fuse (one per ballast)	
	<b>PL</b> spec. para. louver <b>B</b> blank <b>F</b> frosted diffuser		<b>4</b> <b>8</b> <b>12</b> <b>S#</b> system		<b>1</b> one lamp <b>2</b> two lamps <b>3A</b> 3 up/down <b>3B</b> 2 up / 1 down		<b>E</b> electronic <b>ERS</b> rapid start <b>D</b> dimming (specify details)		<b>1</b> one circuit <b>2</b> two circuits <b>+E</b> em. circuit		<b>C</b> cable <b>D</b> diecast <b>+SM</b> seismic		<b>C</b> custom description

# WALL MOUNT SPECIFICATIONS

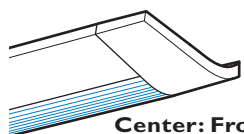
Flow™



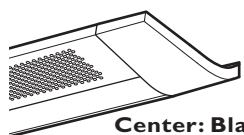
## OPTICS



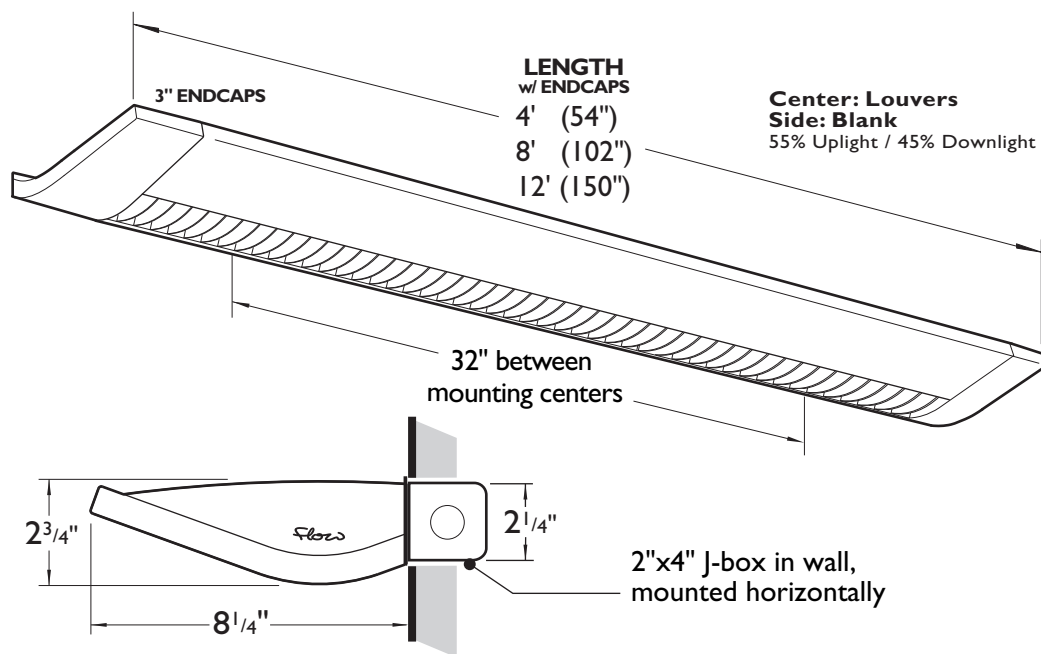
**Center: Louvers**  
**Side: Slots**  
50% Uplight / 50% Downlight



**Center: Frosted Diffuser**  
**Side: Blank**  
60% Uplight / 40% Downlight



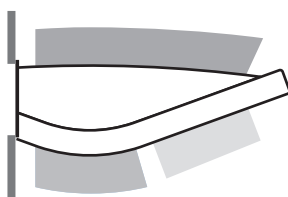
**Center: Blank**  
**Side: Perfs**  
98% Uplight / 2% Downlight



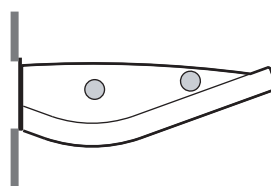
## INSTALLATION PAGE

**i** 2.23

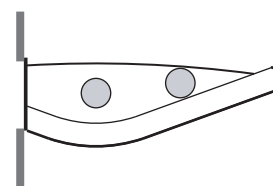
## LAMP CONFIGURATIONS



direct / indirect



1 or 2 x T5/T5HO Lamps



1 or 2 x T8 Lamps

## CONSTRUCTION

<b>End Cap</b>	Die Cast Zinc (0.100" nominal)
<b>Structural Profile</b>	Extruded Aluminum (0.100" nominal)
<b>Louvers</b>	Die Formed Semi-Specular aluminum (22 gauge)
<b>Baffles</b>	Die Formed Aluminum (22 gauge)
<b>Interior Brackets</b>	Die Formed Sheet Steel (18 gauge)
<b>Suspension</b>	Aircraft Cable or Ø 5/8" Stem
<b>Cable Grips</b>	Quick Connecting / Release

<b>Finish</b>	Anodized, Powder Coated, Lacquered
<b>Certification</b>	UL listed to U.S. & Canadian standards

<b>ELECTRICAL</b>	
<b>Ballast Options</b>	Electronic, Dimmable, Emergency
<b>Emergency Lamp Options</b>	Emergency Battery Pack or Circuit
<b>Voltage</b>	T8, T5, T5-HO 120, 277, 347

## PRODUCT ORDERING CODE

product id	center optics	side optics	length / ft	lamp	lamp config.	finish	ballast	voltage	circuits	other	custom
<b>FLW</b>	<b>PL</b>	<b>S</b>	<b>4</b>	<b>T8</b>	<b>2</b>	<b>A</b>	<b>E</b>	<b>120</b>	<b>I</b>		
<b>FL</b> pendant <b>+W</b> wall	<b>PL</b> spec. para. louver <b>B</b> blank <b>F</b> frosted diffuser	<b>S</b> slot <b>P</b> perf <b>B</b> blank	<b>4</b> <b>8</b> <b>12</b> <b>S#</b> system	<b>T8</b> 32w <b>T5</b> 28w <b>T5HO</b> 54w	<b>1A</b> 1 center lamp <b>1B</b> 1 side lamp <b>2</b> 2 lamps	<b>A</b> alu. anodized <b>AP</b> alu. paint <b>W</b> white <b>C</b> custom	<b>E</b> electronic <b>ERS</b> rapid start <b>D</b> dimming (specify details)	<b>120</b> <b>277</b> <b>347</b>	<b>1</b> one circuit <b>2</b> two circuits <b>+E</b> em. circuit	<b>B#</b> batt. pack (quan. / lumens) <b>F</b> fuse (one per ballast)	<b>C</b> custom description