

9 1/4"

2 1/2"

axis

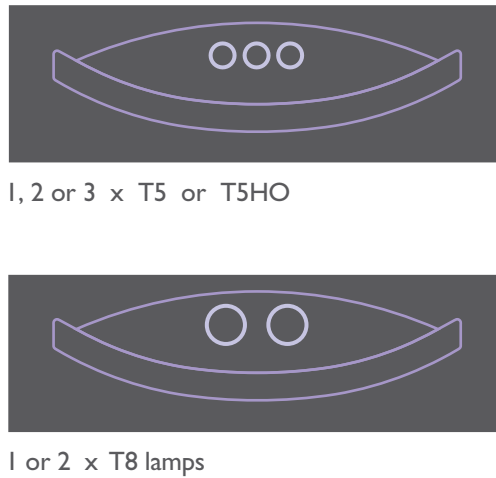
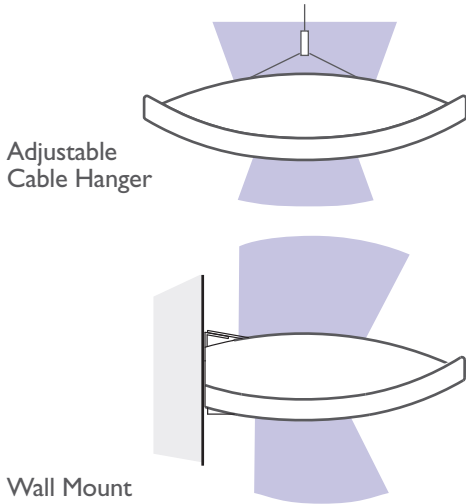
PRODUCT ORDERING CODES

product id	center optics	length / ft	lamp	lamp config.	finish	up light	down light	ballast	voltage	circuits	suspension	hanger	other	custom
LT	PL	4	T8	2	A	0*	0*	E	120	I	CA36	C		
LT +W +S +A	pendant wall surface asymmetric	4 8 12 S# system	1 one lamp 2 two lamps 3 three lamps (T5/T5HO only)			0 1 2		E electronic ERS rapid start D dimming (specify details)	120 277 347	1 one circuit 2 two circuits +E em. circuit	C cable +SM seismic		C custom description	
SB PL P S B F	white solid baffle spec. para. louver perf slotted blank frosted diffuser		T8 32w T5 28w T5HO 54w		A alu. anodized AP alu. painted W white C custom		0 1 2 HP FP BK		120 277 347	CA# cable (36" std) CT# cable / t-bar SA# stem (18" std) (length / inch)	D dust cover B# batt. pack (quan. / lumens) F fuse (one per ballast)			

*Please refer to Light Distribution Guide for up / down light reflectors specifications. For use with SB or PL center optics only.

FIXTURE CONFIGURATIONS

LAMP CONFIGURATIONS



PHOTOMETRICS

Site specific lighting calculations and electronic photometric data are available at www.axislighting.com

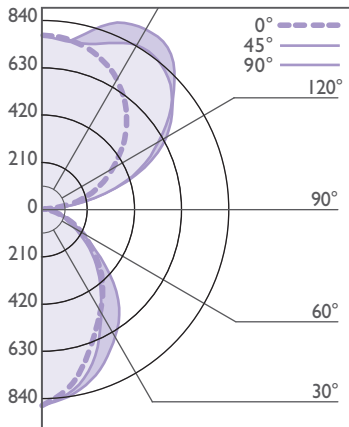
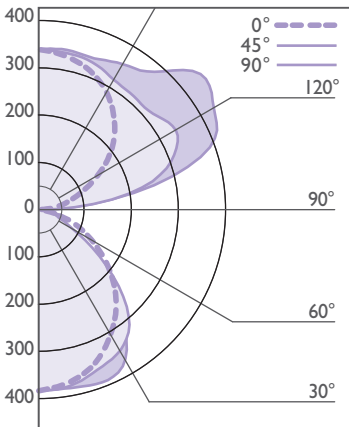
LT Candlepower Distribution

Illuminance (Footcandles)

Photopia Electronic Simulation
Test Lamps: 1 x F32T8 Fluorescent
LT -PL-4-T8-1 direct / indirect
w/ MIRO Interior Reflectors Efficiency : 89%

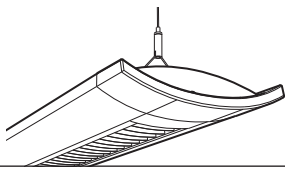
Photopia Electronic Simulation
Test Lamps: 2 x F32T8 Fluorescent
LT -PL-4-T8-2 indirect/direct
Efficiency : 85%

Sample Typicals
Code: 2 x LT -PB-24-T8-2 Reflectances:
(2x 24' curved w/ perf. baffles) Ceiling 80%
Test Lamps: 2 x F32T8 Walls 50%
Light Loss Factor: 0.8 Floor: 20%



Sample Room Layout
30' x 30' x 9' with work plane @ 2.5' AFF

20	21	26	32	35	34	31	28	31	34	35	32	26	21	20
20	23	31	42	50	45	37	32	37	45	50	42	31	23	20
22	26	38	55	67	58	45	38	45	58	67	55	38	26	22
23	28	43	62	76	66	51	43	51	66	76	62	43	28	23
24	30	45	66	81	70	54	46	54	70	81	66	45	30	24
25	31	47	68	83	72	56	48	56	72	83	68	47	31	25
26	32	48	70	85	74	58	50	58	74	85	70	48	32	26
25	32	48	69	84	74	58	49	58	74	84	69	48	32	25
26	32	48	70	85	74	58	50	58	74	85	70	48	32	26
25	31	47	68	83	72	56	48	56	72	83	68	47	31	25
24	30	45	66	81	70	54	46	54	70	81	66	45	30	24
23	28	43	62	76	66	51	43	51	66	76	62	43	28	23
22	26	38	55	67	58	45	38	45	58	67	55	38	26	22
20	23	31	42	50	45	37	32	37	45	50	42	31	23	20
20	21	26	32	35	33	30	28	30	33	35	32	26	21	20



FEATURES&HIGHLIGHTS



LT is part of the award winning XO collection of highly versatile and functional lighting fixtures. Meeting a broad range of specific lighting needs, LT appeals to designers, architects and the client's bottom line. With modern styling and clean lines LT is a welcome addition to any interior design project.

INDIRECT / DIRECT LIGHT

- LT features extremely efficient performance. (up to 91% efficient)
- Direct-indirect linear fluorescent design provides evenly distributed, glare-free light.
- Added flexibility with on-site adjustable reflectors; by using the variable reflectors, the LT can be modified to provide any combination of up/down light ranging from 50% up / 50% down to 100% indirect. This allows flexibility in specification and personalization of individual rooms depending on their usage at any given time.

ZINC DIE-CAST END CAPS

- Precision fabricated zinc die cast end caps add form, structure and quality to this simple, elegant lighting product.
- End caps can be powder coated or painted to match any standard or custom color.

OPTICAL COMPONENTS

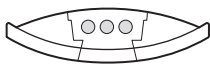
- LT features semi-specular parabolic louvers or white painted baffles for direct/indirect requirements.
- Slots or a frosted acrylic lens are the standard optical infill panels. available for semi-indirect requirements; completely indirect fixtures are available as well with blank infills.

PENDANT & LINEAR SYSTEMS

- Pendant fixtures available in lengths of 4', 8' and 12'.
- Fixtures can also be seamlessly joined to create continuous runs in any specified custom linear length using an internal profile.

LIGHT SOURCE OPTIONS

- The LT is available with T8, T5 and T5 high output lamps.
- The high efficiency design allows for a wide spacing between fixtures and even lighting.
- Relamping and cleaning is easy and can be done in a fraction of the time required for traditional troffer lights.



1, 2 or 3 x T5 or T5H0



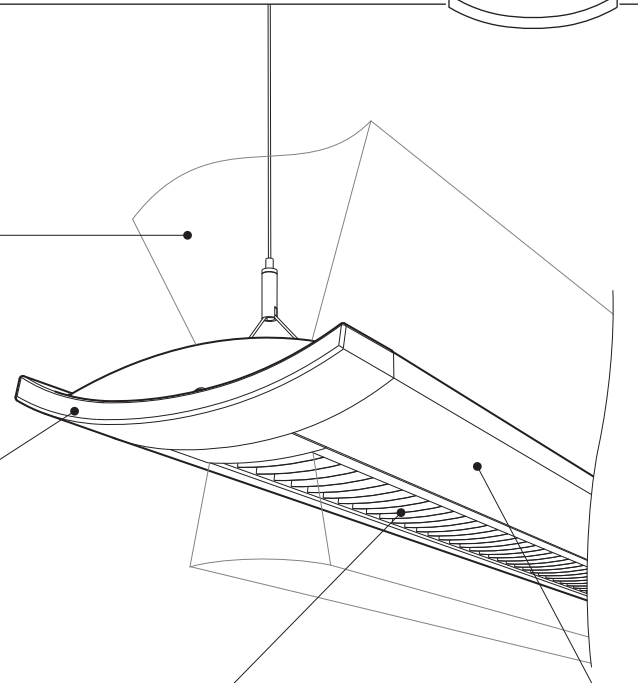
1 or 2 x T8 lamps

INTERNAL COMPONENTS

- Socket brackets and all other internal metal components are die formed 18 gauge, steel, white powder coated for maximum efficiency.

BALLAST & ELECTRICAL

- Electronic, dimmable & emergency ballasts are available.
- All wiring and ballasts are easily accessible.
- 120, 277 or 347 voltages are available.
- Only the highest quality electrical components are used for added safety, convenience and long term cost and ecological savings.
- C-UL certified.

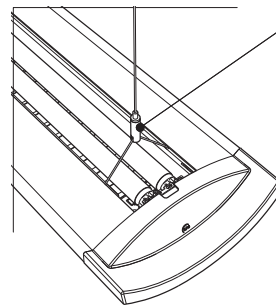


ALUMINUM STRUCTURE

- Side profiles precisely fabricated in the highest grade aluminum ensures straight linear fixtures.
- Powder coated finish in standard aluminum or white, and in many custom colors.

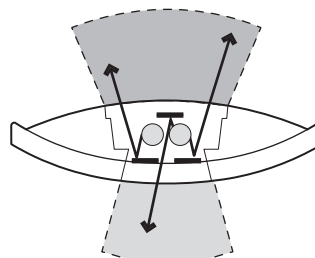
ADJUSTABLE MOUNTING

- Sliding hangers allow for large and small mounting variations due to installer error or obstacles in the ceiling.
- Set screw used for locking position of hangers.
- Can span 12' between mounting centers.
- Aircraft cable mounts into quick-connecting, releasing & leveling cable grips; the cable grippers can be specified as tamper-proof and can even support the weight of a person.
- Stem mounting is also available.



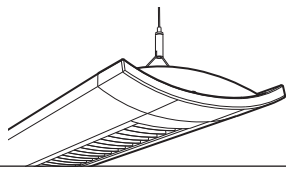
CUSTOMIZING PERFORMANCE

- Our innovative, variable reflector system allows up to 2 uplight reflectors or 3 downlight reflectors, and combinations thereof, to direct more light where it is needed; the reflectors can be installed or removed on-site to provide on-the-spot customization.



REFLECTORS

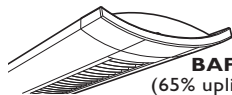
Refer to page **ii.2** - Light Distribution Guide for customizing uplight/downlight ratios with variable reflectors



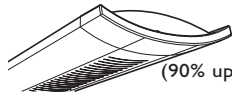
PENDANT SPECIFICATIONS



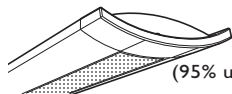
OPTICS



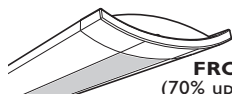
BAFFLES / LOUVERS
(65% uplight/35% downlight)*



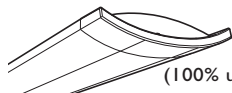
SLOTS
(90% uplight/10% downlight)



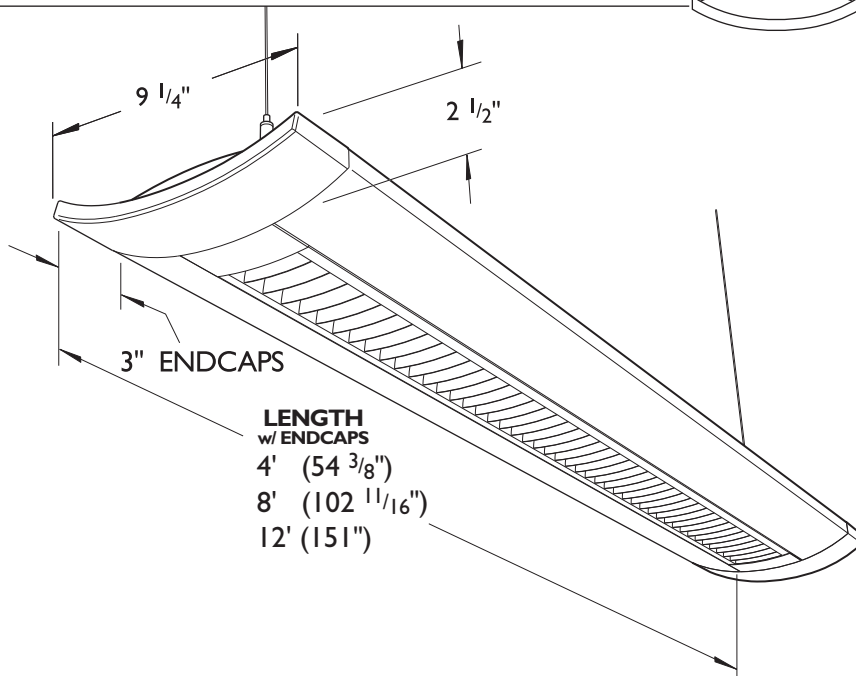
PERFORATIONS
(95% uplight/5% downlight)



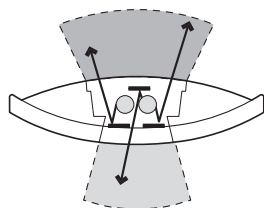
FROSTED DIFFUSER
(70% uplight/30% downlight)



BLANK
(100% uplight/no downlight)



REFLECTORS



* Refer to page **ii.2** - "Light Distribution Guide" for customizing uplight/downlight ratios with variable reflectors

LAMPS

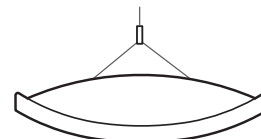


1 or 2 x T8 lamps



1, 2 or 3 x T5 or T5HO

HANGER



adjustable cable hanger

INSTALLATION PAGES

i 1.2 2.1 2.15

CONSTRUCTION

End Cap	Die Cast Zinc (0.100" nominal)
Side Profile	Extruded Aluminum (0.100" nominal)
Louvers	Die Formed Semi-Specular aluminum (22 gauge)
Baffles	Die Formed Aluminum (22 gauge)
Interior Brackets	Die Formed Sheet Steel (18 gauge)
Hanger	Aircraft Cable
Suspension	Aircraft Cable or Ø 5/8" Stem
Cable Grips	Quick Connecting / Release

Finish
Certification

Anodized, Powder Coated, Lacquered
UL listed to U.S. & Canadian standards

ELECTRICAL

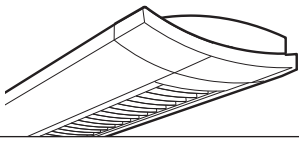
Ballast Options
Emergency Lamp Options
Voltage

Electronic, Dimmable, Emergency
Emergency Battery Pack or Circuit
T8,T5,T5-HO
120, 277, 347

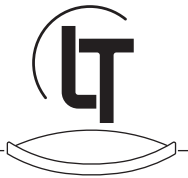
PRODUCT ORDERING CODE

product id	optics	length / ft	lamp	lamp config.	finish	up light	down light	ballast	voltage	circuits	suspension	hanger	other	custom
LT	PL	4	T8	2	A	0*	0*	E	120	I	CA36	C		
LT	pendant	4	1	one lamp		0		E		1	one circuit	C		C
+W	wall	8	2	two lamps		1		ERS		2	two circuits	+SM		
+S	surface	12	3	three lamps		2		D		+E	em. circuit			
+A	asymmetric	S#		(T5 / T5HO only)				(specify details)						
SB	white solid baffle		T8	32w	A		0		120		CA #		D	
PL	specular para. louver		T5	28w	AP		1		277		CT #		B#	
P	perf		T5HO	54w	W		2		347		SA #		F	
S	slotted				C		HP				(length / inch)			
B	blank						FP							
F	frosted diffuser						BK							

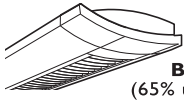
sample ordering options



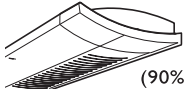
WALL MOUNT SPECIFICATIONS



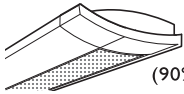
OPTICS



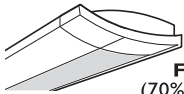
BAFFLES / LOUVERS
(65% uplight/35% downlight)*



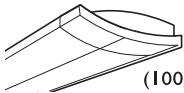
SLOTS
(90% uplight/10% downlight)



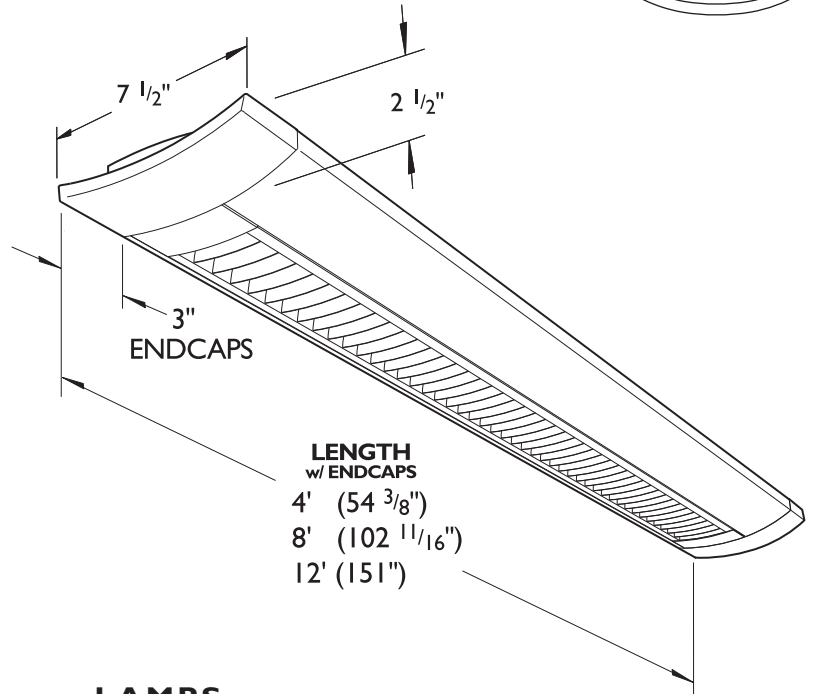
PERFORATIONS
(90% uplight/5% downlight)



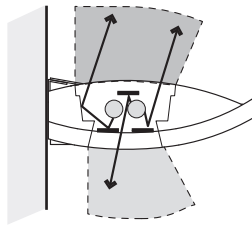
FROSTED DIFFUSER
(70% uplight/30% downlight)



BLANK
(100% uplight/no downlight)

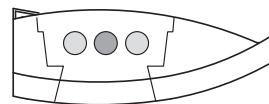


REFLECTORS

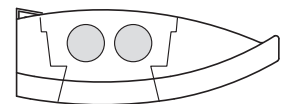


* Refer to page i1.2 - "Light Distribution Guide" for customizing uplight/downlight ratios with variable reflectors

LAMPS



1, 2 or 3 x T5 or T5HO lamps



1 or 2 x T8 lamps

CONSTRUCTION

End Cap	Die Cast Zinc (0.100" nominal)
Side Profile	Extruded Aluminum (0.100" nominal)
Louvers	Die Formed Semi-Specular aluminum (22 gauge)
Baffles	Die Formed Aluminum (22 gauge)
Interior Brackets	Die Formed Sheet Steel (18 gauge)
Hanger	Aircraft Cable
Suspension	Aircraft Cable or Ø 5/8" Stem
Cable Grips	Quick Connecting / Release

Finish Certification

Anodized, Powder Coated, Lacquered
UL listed to U.S. & Canadian standards

ELECTRICAL

Ballast Options	Electronic, Dimmable, Emergency
Emergency Lamp Options	Emergency Battery Pack or Circuit
Voltage	T8, T5, T5-HO 120, 277, 347

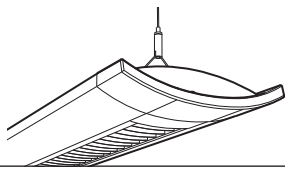
INSTALLATION PAGES

i 1.2 2.17

PRODUCT ORDERING CODE

product id	optics	length / ft	lamp	lamp config.	finish	up light	down light	ballast	voltage	circuits	other	custom
LTW	PL	4	T8	2	A	0*	0*	E	120	I		
LT	pendant	4	1	one lamp		0		E		1		C
+W	wall	8	2	two lamps		1		ERS		2		description
+A	asymmetric	12	3	three lamps		2		D		+E		
		S#		(T5 / T5HO only)				(specify details)				
SB	white solid baffle		T8	32w	A		0		120		D	dust cover
PL	specular para. louver		T5	28w	AP		1		277		B#	batt. pack
P	perf		T5HO	54w	W		2		347			(quan./4' sections)
S	slotted				C		HP				F	fuse
B	blank						FP					(one per ballast)
F	frosted diffuser						BK					

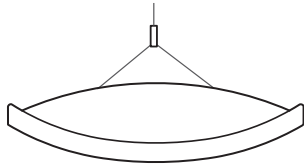
sample ordering options



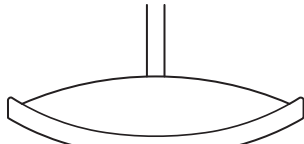
ASYMMETRIC SPECIFICATIONS



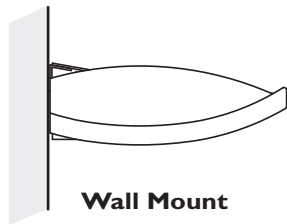
CONFIGURATIONS



Pendant Cable

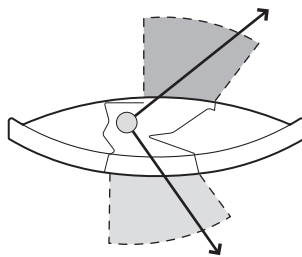


Pendant Stem

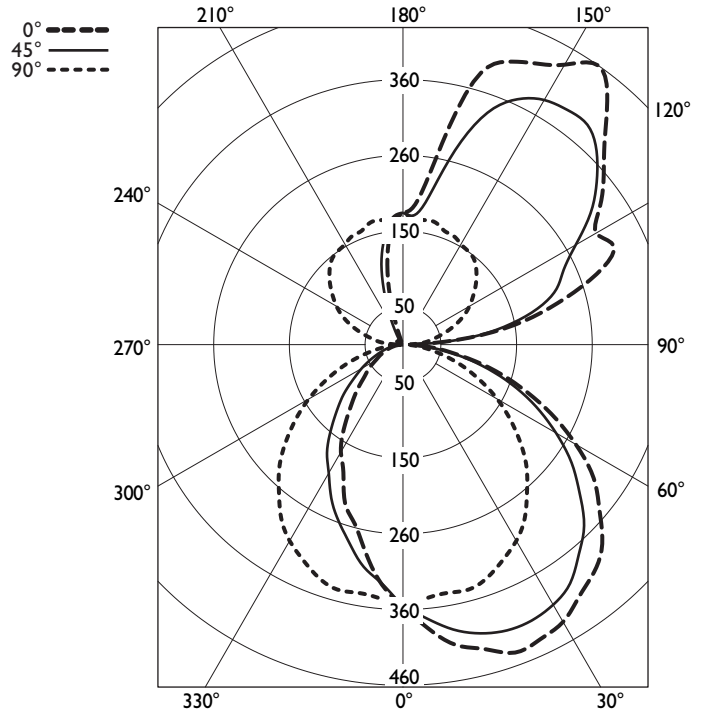


Wall Mount

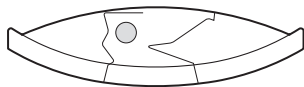
REFLECTORS



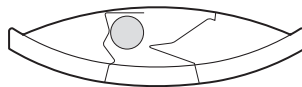
CANDLEPOWER DISTRIBUTION



LAMPS



1 x T5 or T5HO lamp



1 x T8 lamp

INSTALLATION PAGES

i 2.1 2.15 2.17

CONSTRUCTION

End Cap	Die Cast Zinc (0.100" nominal)
Side Profile	Extruded Aluminum (0.100" nominal)
Louvers	Die Formed Semi-Specular aluminum (22 gauge)
Baffles	Die Formed Aluminum (22 gauge)
Interior Brackets	Die Formed Sheet Steel (18 gauge)
Hanger	Aircraft Cable
Suspension	Aircraft Cable or Ø 5/8" Stem
Cable Grips	Quick Connecting / Release

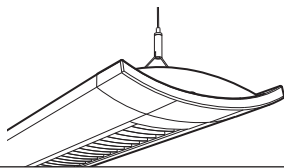
Finish	Anodized, Powder Coated or Lacquered
Certification	UL listed to U.S. & Canadian standards

ELECTRICAL

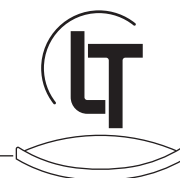
Ballast Options	Electronic, Dimmable, Emergency
Emergency Lamp Options	Emergency Battery Pack or Circuit
Voltage	T8, T5, T5-HO 120, 277, 347

PRODUCT ORDERING CODE

product id	center optics	length / ft	lamp	lamp config.	finish	up light	down light	ballast	voltage	circuits	suspension	hanger	other	custom
LTA	F	4	T8	I	A	0	0	E	120	I	CA36			
LT	pendant							E	electronic	I	one circuit	C		C
+W	wall	4		I				ERS	rapid start	2	two circuits	+SM	C	custom
+A	asymmetric	8		one lamp				D	dimming	+E	em. circuit			description
		12							(specify details)					
		S#												
		system												
	F	frosted diffuser							120		CA #		D	dust cover
			T8		A		0		277		cable (36" std)		B#	batt. pack
				AP	alu. anodized				347		cable / t-bar			(quant./4' sections)
			T5	W	alu. paint						stem (18" std)		F	fuse
			T5HO	C	white						(length / inch)			(one per ballast)
					custom									



CORNER SPECIFICATIONS



In addition to individual pendants and linear runs, the **LT** fixture can be specified with corner, T or X sections.

The corner modules are an assembly of welded aluminum extrusions. For added rigidity and a secure joining, the assembly uses an internal extrusion to connect the corners and linear sections of the system.

CORNER SPECIFICATION TIPS

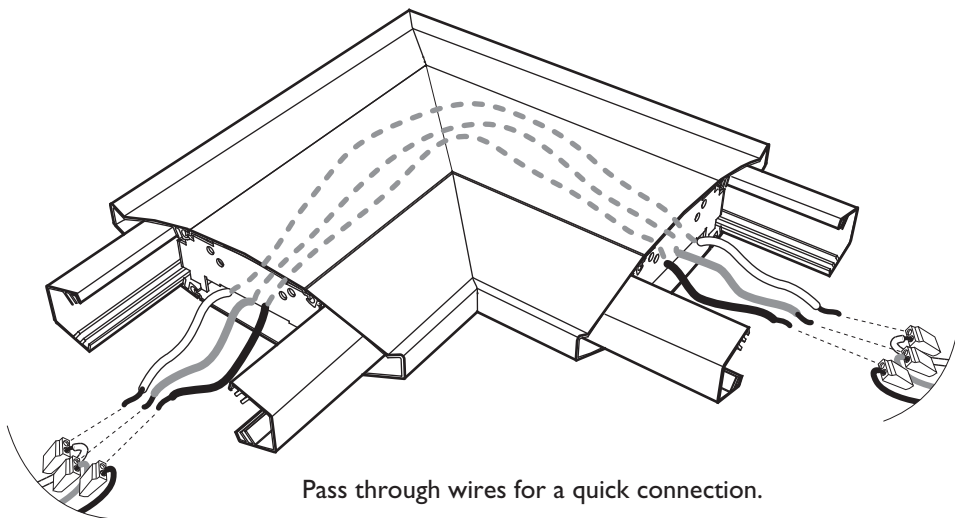
PLEASE PROVIDE PLAN OR SKETCH ILLUSTRATING CORNER TYPES AND LOCATIONS REQUIRED.

Corners are to be ordered in parallel with their corresponding linear sections. Specify each corner style required with a separate code (see code below).

Mounting points are to be situated on attached linear sections as per regular pendants rather than on corners.

All systems requiring corner units must be specified as such at the time of order. Existing linear systems or fixtures cannot have corners added at a later date.

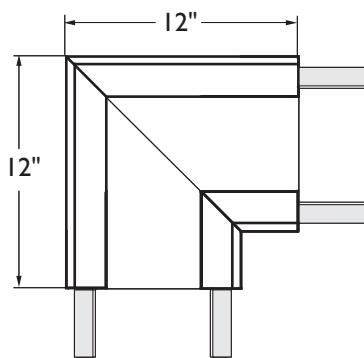
Wall mounted corners are also available. Please notify Axis with sketch and details.



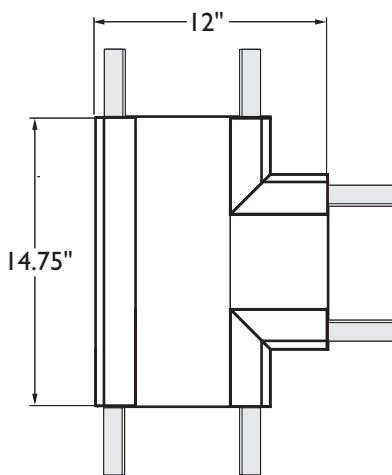
Pass through wires for a quick connection.

INSTALLATION PAGE

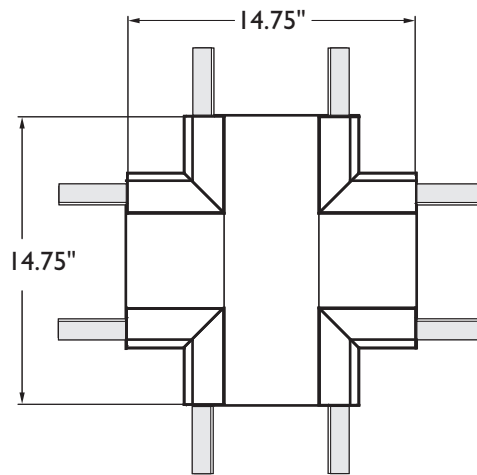
i 2.15



90° CORNER

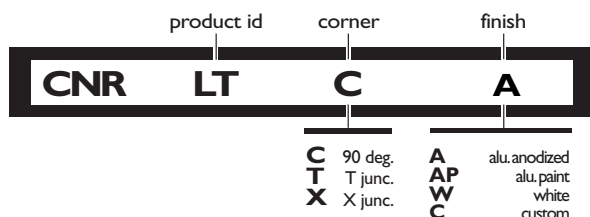


T CORNER



X CORNER

CORNER ORDERING CODES



CONSTRUCTION

General Assembly
Side Profile
Center Profile
Interior Brackets
Finish
Certification

Mitered Aluminum extrusion
 Extruded Aluminum (0.100" nominal)
 Extruded Aluminum (0.080" nominal)
 Die Formed Sheet Steel (16 gauge)
 Anodized, Powder Coated or Lacquered
 UL listed to U.S. & Canadian standards